

INSTALLATION AND OPERATING INSTRUCTIONS FOR AUTO CHANGEOVER PANEL ACO-TK

The ACO-TK changeover panel is designed to suit single or three phase twin fan units with motors that have TK (thermal protection) contacts brought out separately to the motor windings. The front panel has run and fail lamps for each fan and pushbuttons for overriding the automatic duty share function.

For applications where the current of the fan exceeds the rating of the ACO-TK we offer contactors packs.

Specification

Model no.	Electrical supply	Max rating	Dimensions (H x W x D)
ACO-TK	230v 1Ph 50Hz	6 Amps	147mm x 196mm x 80mm
	400v 3Ph 50Hz & neutral	2 Amps	

ACOTK Features

- Automatic duty share (12hrs or 24hrs)
- Automatic changeover when duty fan TK contacts open
- Pushbuttons to manually duty share fans and in event of fault to reset
- Individual run and fail lamps for each fan
- Relay outputs to indicate which fan is running
- Relay outputs to indicate that the fan has failed



Installation

Check that the auto changeover panel supplied is compatible with the fan motors.
Install in a dry sheltered position. Do not install in close proximity to a heat source.

All wiring must be carried out by a suitably qualified and competent person and comply with current applicable regulations.

Internal switch settings:

Switch 1 on SW3 (Auto start)

If this switch is on the unit will automatically start a fan when power is applied to the changeover panel. If this switch is off neither fan will start when power is applied to the changeover panel until the user manually starts a fan

Switch 2 on SW3 (Duty Share)

If this switch is off the automatic duty share period is 12 hours

If this switch is on the automatic duty share period is 24 hours

Operation

To start a fan that is not running press the associated button on the front panel. When a fan is running the associated run lamp should be lit.

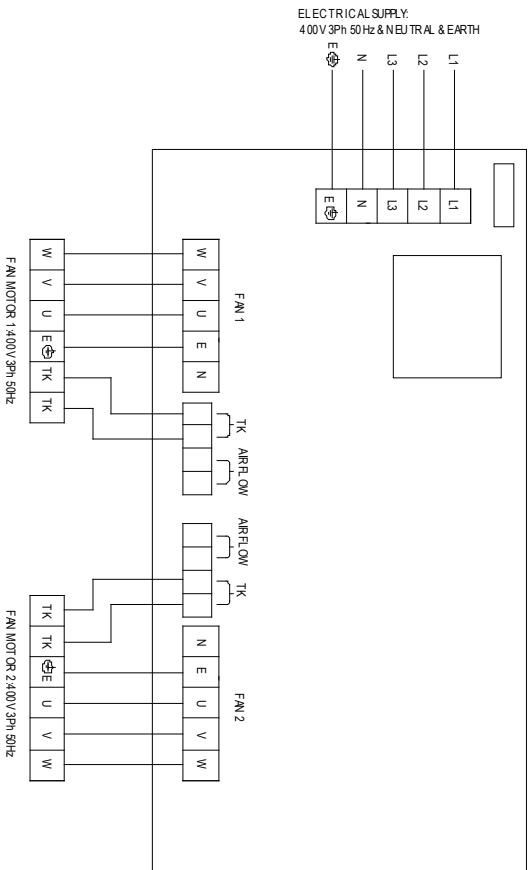
To stop a fan that is running press the associated button on the front panel

If the thermal contacts (TK) for the fan that is running open then that fan will stop, the associated fail lamp will light and the other fan will start.

To re-start a fan after the TK contacts have opened:

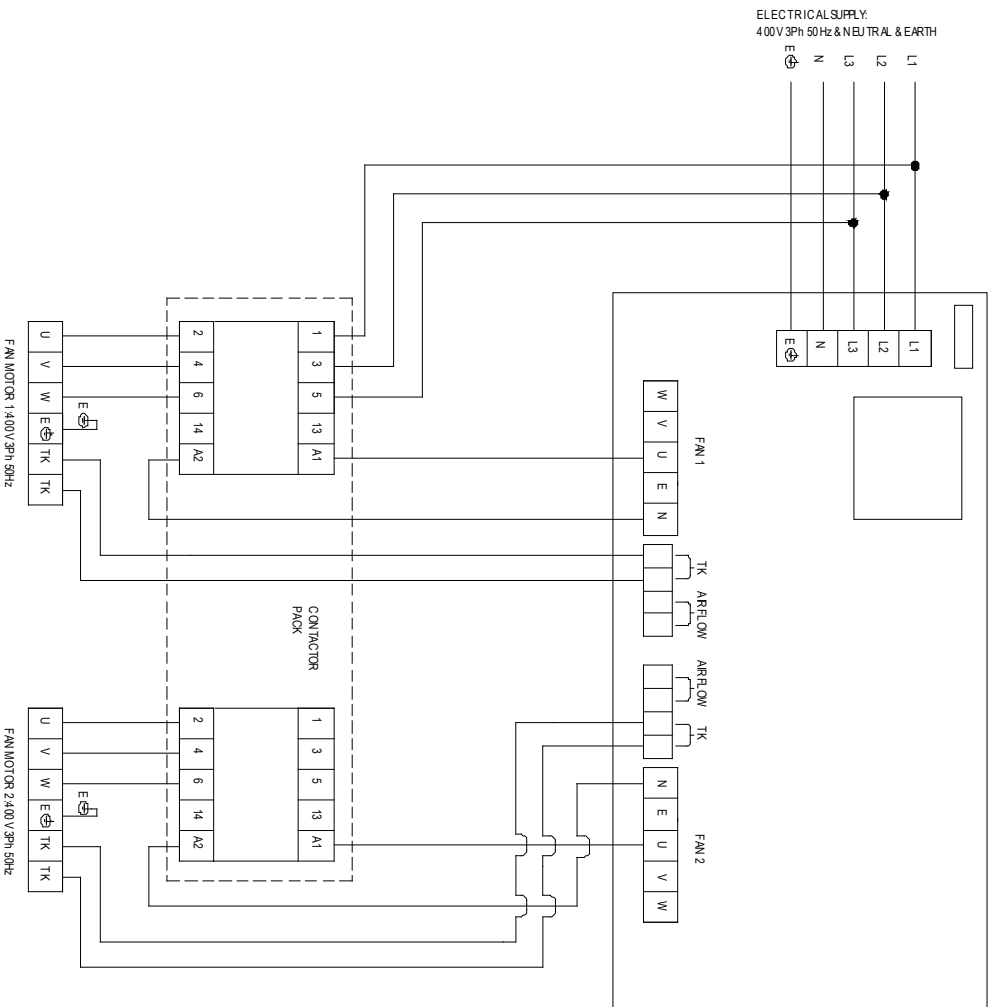
The cause of the TK contacts opening should be investigated. Once the TK contacts have closed then press the associated start button once to clear the fault and a second press will re-start the fan

**FIELD WIRING DIAGRAM:
ACOTK IN CONJUNCTION WITH
400V 3PH 50HZ FANMOTORS**



Wiring diagrams

**FIELD WIRING DIAGRAM:
ACOTK IN CONJUNCTION WITH 400V 3PH 50HZ FAN
MOTORS AND CONTACTOR PACK (TO BE USED WHEN FAN
MOTOR IS 3PH AND F.L.C. IS IN EXCESS OF 2AMPS)**



THE PREPARED CONNECTIONS (1-1, 3-3, 5-5) IN THE CONTACTOR PACK
ARE TO BE KEPT IN PLACE. THEY ARE NOT SHOWN ON THIS DRAWING
FOR REASONS OF CLARITY

**FIELD WIRING DIAGRAM:
ACOTK IN CONJUNCTION WITH
230V 1PH 50HZ FANMOTORS**

